

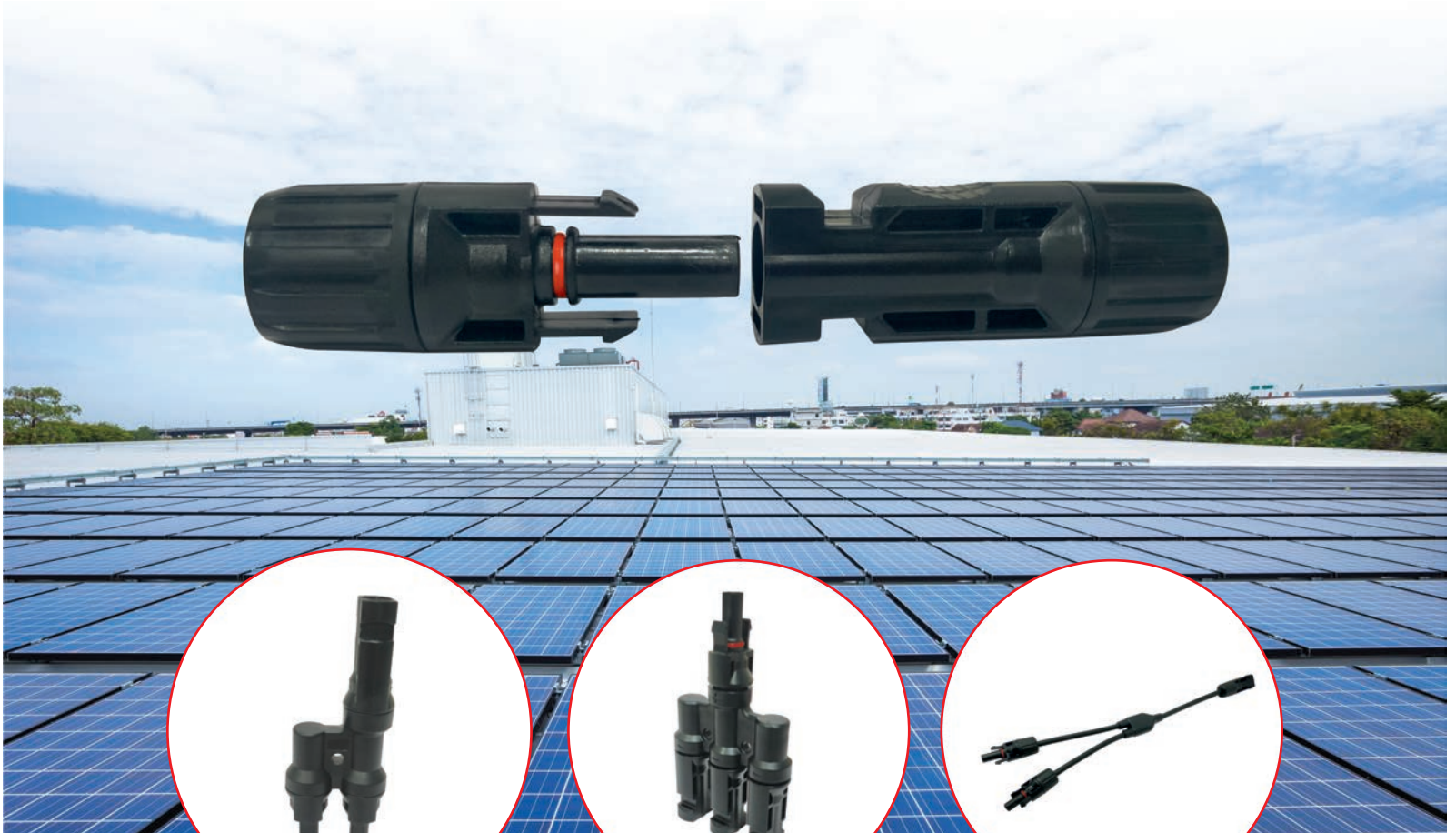


# POLYCARB

Connection Zindagi Ka

SOLAR

## PHOTOVOLTAIC SOLAR CONNECTORS



**Branch Connector  
2 In 1 Out**



**Branch Connector  
3 In 1 Out**



**Y Connector**

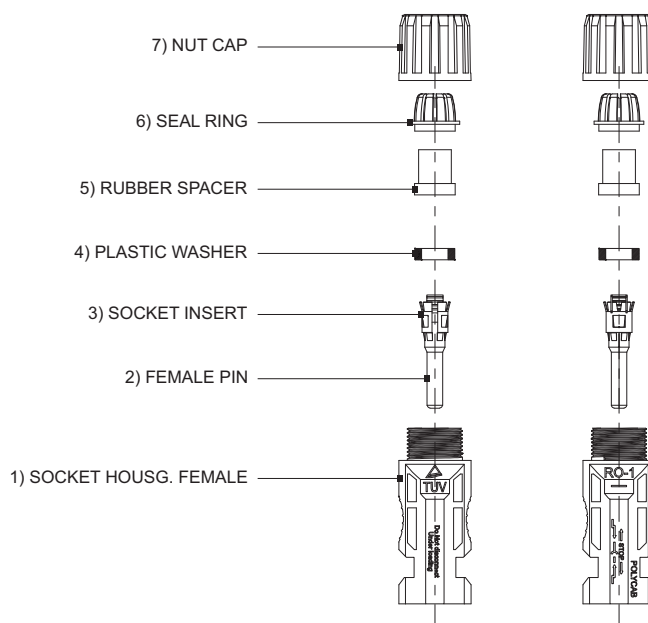
### LEADING FEATURES

- PPO Socket Housing
- IP 68 Protection when mated and IP 20 when open
- Snap Fit Locking Arrangement
- Crimped terminal Connection
- Low Contact Resistance
- Tested as per IEC 62852
- Provides UV Protection (Tested for 500 hrs as per ISO 4892-2)

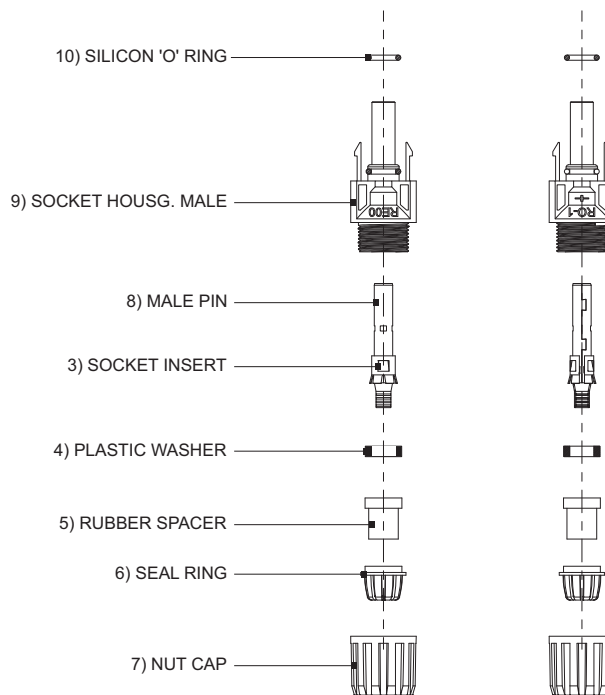
## TECHNICAL PARAMETERS

Electrical Characteristics	
Rated Voltage	1000 V / 1500 V DC
Rated Impulse Voltage	12000V / 16000V
Rated Current (IEC 90°C)	25 A (2.5 mm <sup>2</sup> ), 30 A (4.0 mm <sup>2</sup> , 6.0 mm <sup>2</sup> )
Rated Insulation Voltage	6000V / 8000V
Contact Resistance	< 0.5 mΩ
Test Voltage	6kV (1000V) / 8 kV (1500 V) 50Hz, 1 min
Protection Class	II
Overtoltage Category	CAT III
Pollution Degree	2
Mechanical Characteristics	
Dimensions Female	55mm*19mm
Dimensions Male	52mm*19mm
IP Rating	IP 68
Contact Material	Copper with Tin Plating
Cable Type	2.5 mm <sup>2</sup> /4.0 mm <sup>2</sup> /6.0 mm <sup>2</sup>
Insertion Force	≤ 50 N
Withdrawal Force	≥ 50 N
Insulation Material	PPO (Noryl - PX 9406)
Bending Radius	≥4*Cable OD
Termination and Connection	Crimped Connection
Locking System	Snap In
Other Characteristics	
Ambient Temperature	-45°C to +85°C
Upper Limit Temperature	100°C
Flame Class	UL 94-V0
Reference Standard	IEC 62852
Operating Cycles	100
Values for Cable Clamp	5.7mm to 7.2mm
Wire cross section area or cross section range	1*4.0mm <sup>2</sup> , 1*6.0mm <sup>2</sup>

### FEMALE\_SOCKET HOUSG.\_ASSEMBLY



### MALE\_SOCKET HOUSG.\_ASSEMBLY



REF	DESCRIPTION	COLOUR	MATERIAL	QTY (Nos.)	REMARKS
1	SOCKET HOUSG. FEMALE	BLACK	NORYL	01	
2	FEMALE PIN	-	Cu	01	TIN PLATING
3	SOCKET INSERT	-	ss	02	
4	PLASTIC WASHER	BLACK	NORYL	02	
5	RUBBER SPACER	BLACK	TPU	02	SHORE 30
6	SEAL RING	BLACK	NORYL	02	
7	NUT CAP	BLACK	NORYL	02	
8	MALE PIN	-	Cu	01	TIN PLATING
9	SOCKET HOUSG. MALE	BLACK	NORYL	01	
10	SILICON 'O' RING		SILICON	01	

Note: Specifications are subject to change

**POLYCAB INDIA LIMITED** (formerly known as Polycab Wires Limited)  
Polycab house, 771 Mogul Lane, Mahim (W), Mumbai 400 016. Email: solar@polycab.com | Web: www.polycab.com

**For Consumer Complaint Contact : Officer, Consumer Care Cell**  
Polycab House, 771, Mogul Lane, Mahim (W), Mumbai 400 016, Maharashtra, India.  
Tel: 91-22-2432 7070 - 4,6735 1400 | Fax: 91-22-24327075  
Email: customercare@polycab.com | Website: www.polycab.com | Toll Free No.: 1800 267 0008

**Solar Division Marketing Office:**  
**POLYCAB INDIA LIMITED** (formerly known as Polycab Wires Limited)  
Off. No. 34, Sangam Project Phase-2, Near RTO Pune,  
Near Sangam Bridge, Pune- 411001.

Authorised Distributor / Dealer